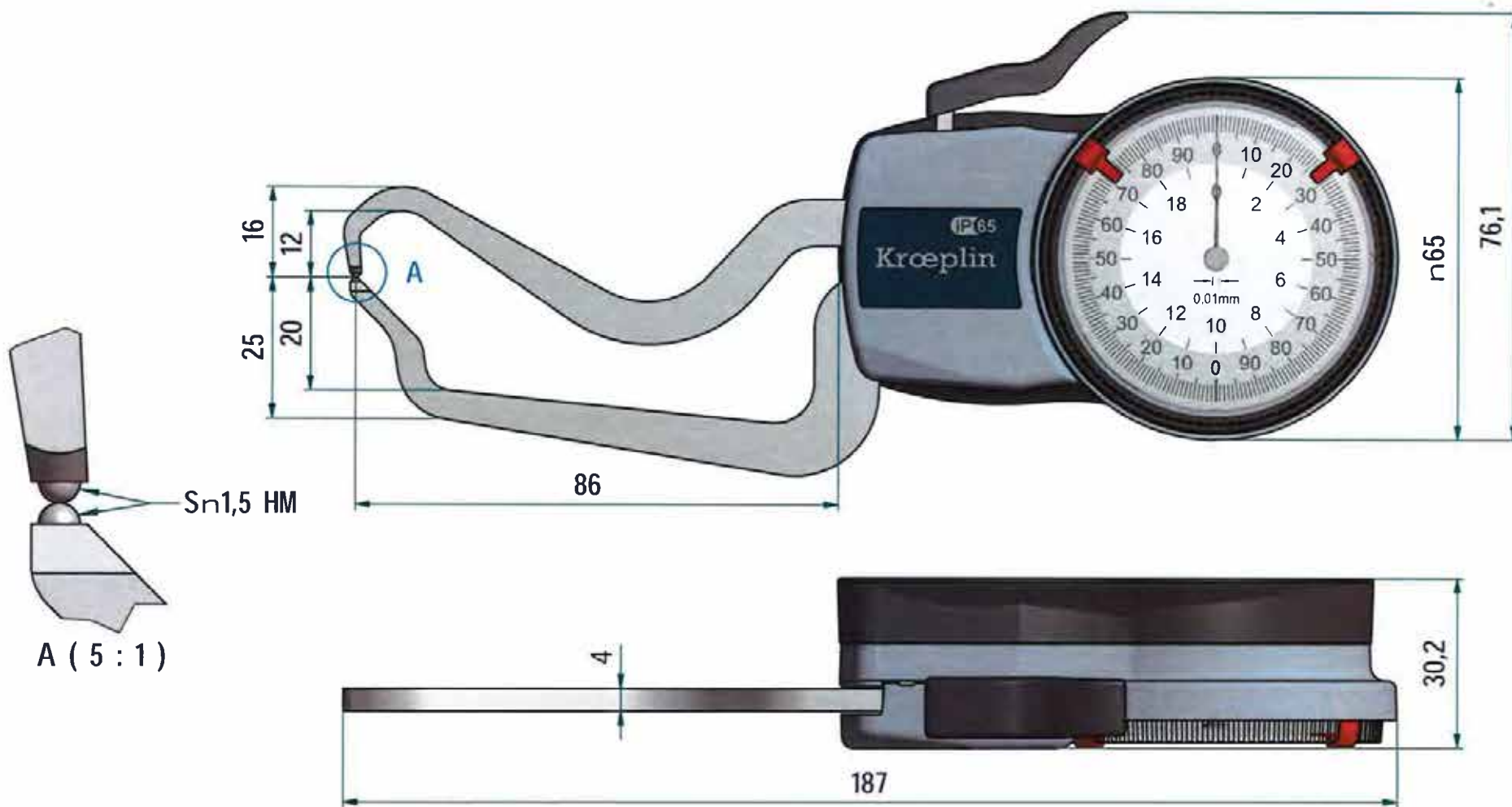


data sheet: D2X199

Jean Louis MENEGON - Votre représentant et Conseiller- Tél. : 06 76 08 96 83

E-mail: jlouismenegon@aol.com - web: www.menegon-metrologie.com



SUBJECT TO TECHNICAL ALTERATIONS

type: D
range: 0 - 20 mm
range of indication: 0 - 20,5 mm
digital step: -
scale interval: 0,01 mm
measuring force: 1,1 - 1,6 N
weight: ca. 210 g

acceptable deviations
 VDI/VDE/DGQ 2618 Bl. 12.1/13.1)
max. permissible errors "G": 0,03 mm
repeatability "r": 0,01 mm
reference temperature: 20° C
operation temperature: 10° C - 30° C
storage temperature: -10° C - 50° C

scale: 1:1
drawing-nr.: D2X199
date of issue: 13.12.2013
name: M.Heil

revision status:
revision date: